



Series 526 LO-PRO® file Zero Insertion Force Socket

FEATURES:

- A choice of 24, 28, or 40 pin count devices can be inserted without bending or otherwise damaging the legs, since no force is required to either insert or remove the component from the socket.
- A metal cam provides strong, smooth action as it moves to a positive stop, compressing the double-sided contacts, ensuring a gas-tight seal.
- Test point openings provided to reach all pins.

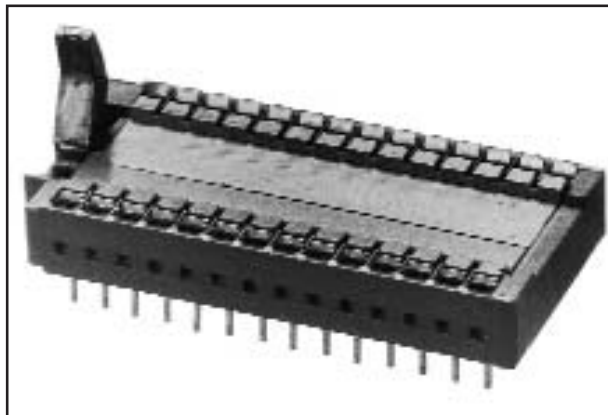
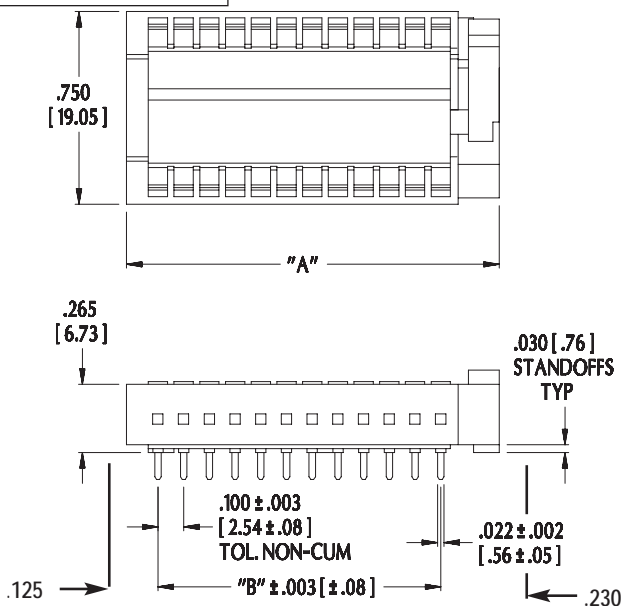
SPECIFICATIONS:

- Plastic body is Black UL 94V-0 glass-filled 4/6 Nylon.
- Contacts are Beryllium Copper Alloy 172, spring tempered.
- Contact plating:
 - 10 = 200µ" [5.08µm] min. Matte Tin per ASTM-B545-97 over 50µ" [1.27µm] min. Nickel per SAE-AMS-QQ-N-290.
 - 10TL = 200µ" [5.08µm] min. 90/10 Tin/Lead per MIL-T-10727 over 50µ" [1.27µm] min. Nickel per SAE-AMS-QQ-N-290.
 - 11 = 10µ" [0.25µm] min. Gold per MIL-G-45204 over 50µ" [1.27µm] min. Nickel per SAE-AMS-QQ-N-290. (Consult Factory for Availability).
- Cam is lightweight, strong, and rigid cast Zinc Alloy.
- Operating temperature= -67°F to 221°F [-55°C to 105°C].- Tin & Tin/Lead Plating = -67°F to 257°F [-55°C to 125°C]. - Gold
- Contact current rating=2 Amps.
- Contact resistance=10 mOhms max.
- Breakdown voltage=1000 VAC min.
- Average Retention Force (when closed)=110 grams/lead, based on .010 [.25] diameter test lead.
- Socket accepts .008-.014 [.20-.36] thick leads, .075-.200 [1.91-5.08] long.

MOUNTING CONSIDERATIONS:

- Suggested PCB hole size=.035 ± .002 [.89 ± .05] dia.

All tolerances ± .005 [.13] unless otherwise specified



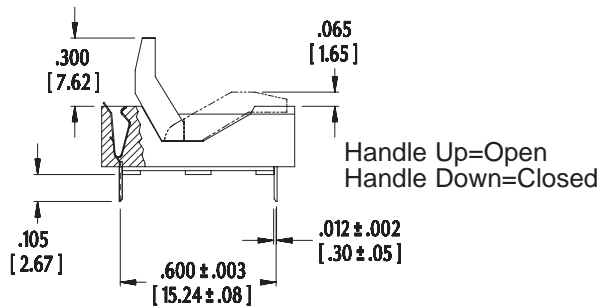
Note: Aries specializes in custom design and production. In addition to the standard products shown on this page, special materials, platings, sizes, and configurations can be furnished, depending on quantities. Aries reserves the right to change product specifications without notice.

ORDERING INFORMATION



Series 516 Standard ZIF Socket also available. Consult Data Sheet No. 10017.

No. of Positions	Dim. "A"	Dim. "B"
24	1.450 [36.83]	1.100 [27.94]
28	1.650 [41.90]	1.300 [33.02]
40	2.250 [57.15]	1.900 [48.26]



ALL DIMENSIONS: INCHES [MILLIMETERS]



Frenchtown, NJ USA
 TEL: (908) 996-6841
 FAX: (908) 996-3891



10018
 REV.D